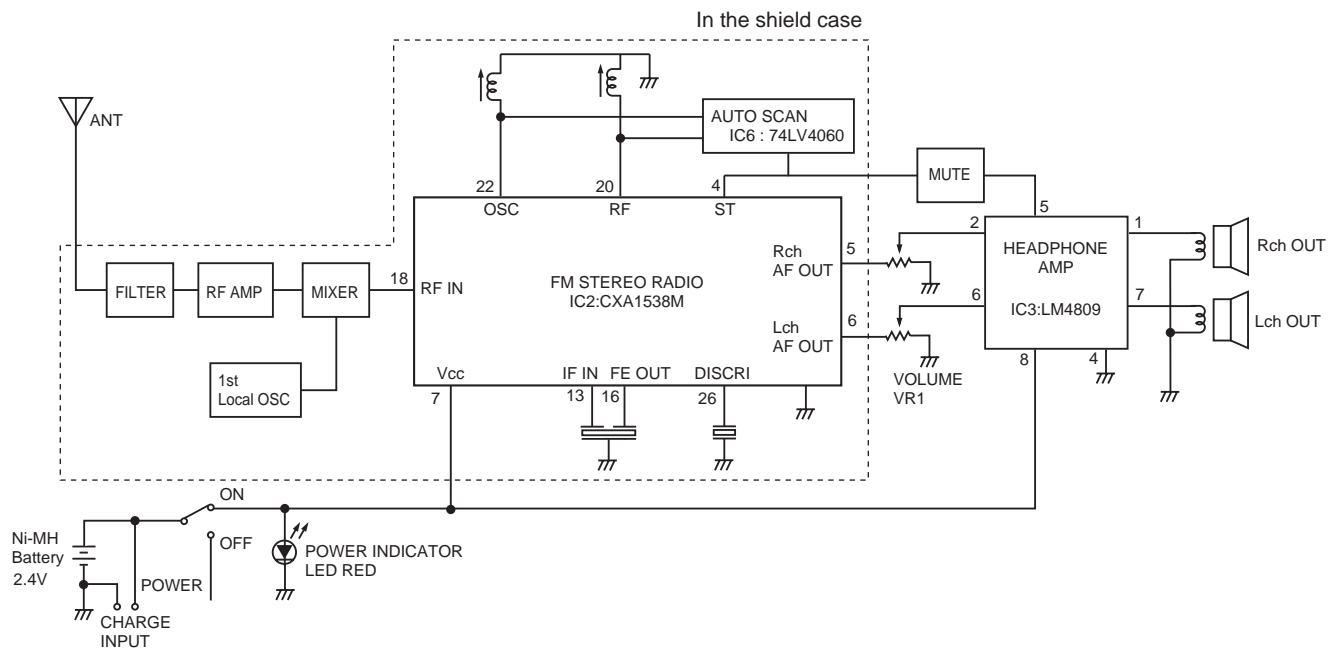


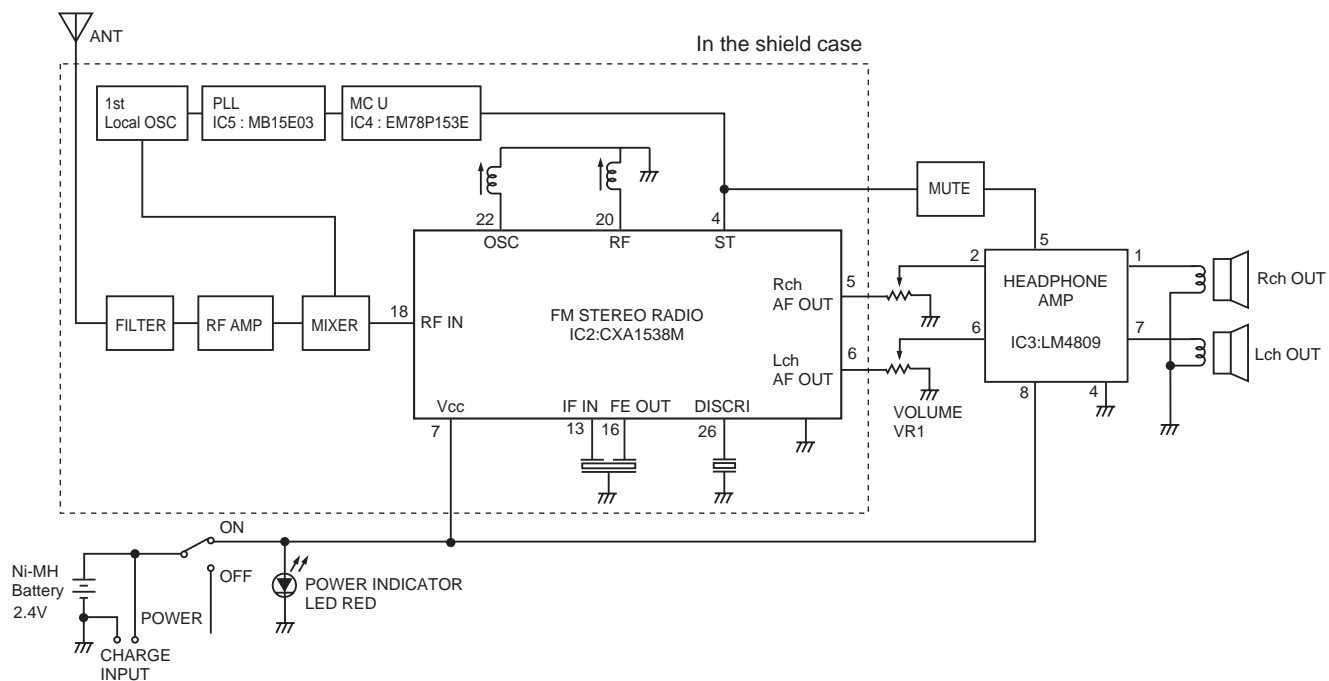
Block Diagrams

Receiver (Headphones)

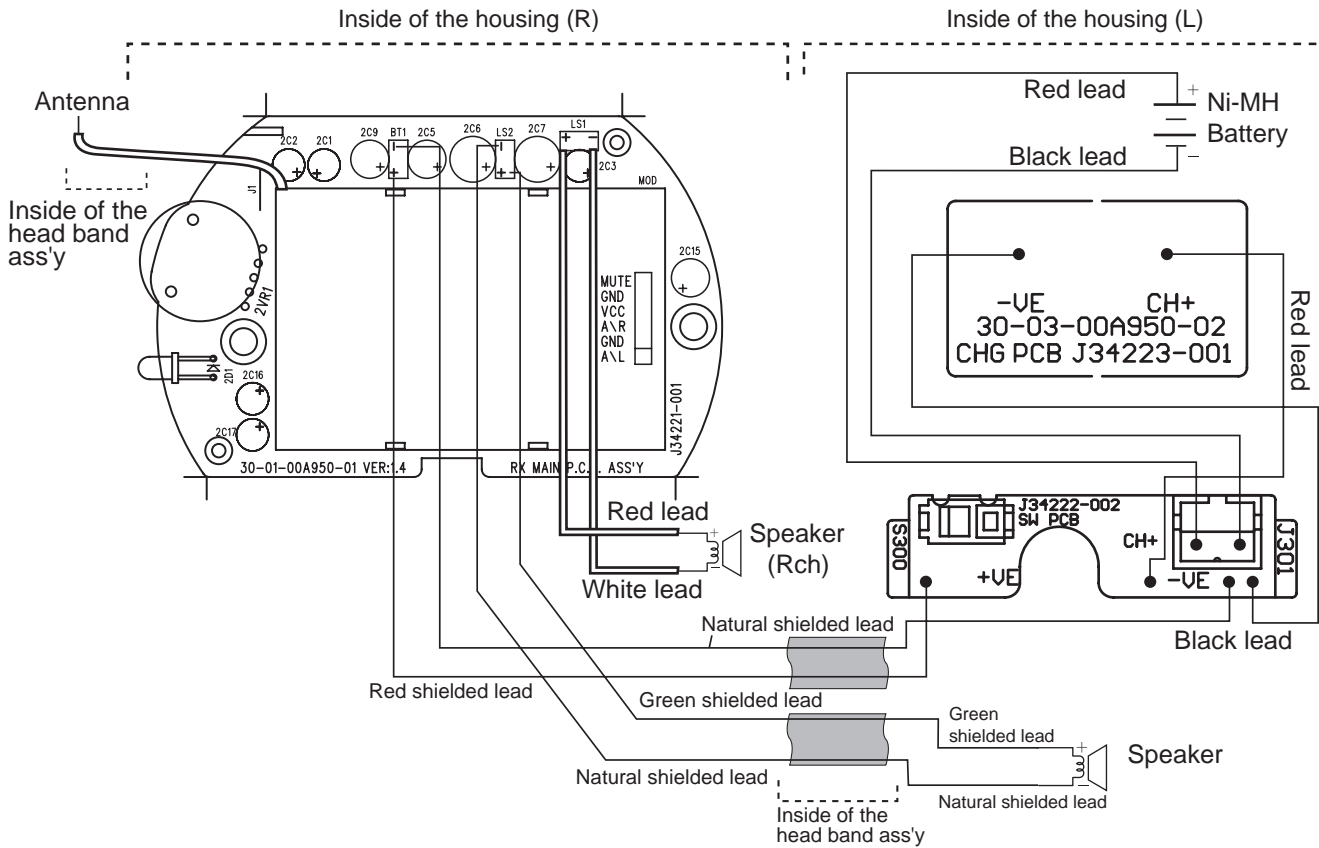
J/C Model : 900MHz type



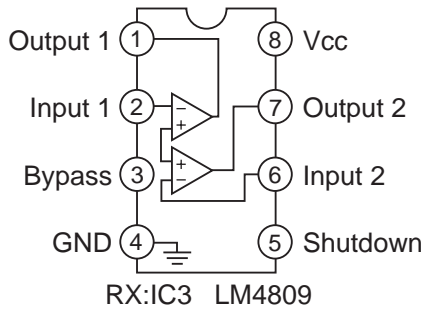
G Model : 863MHz type



Wiring Diagram

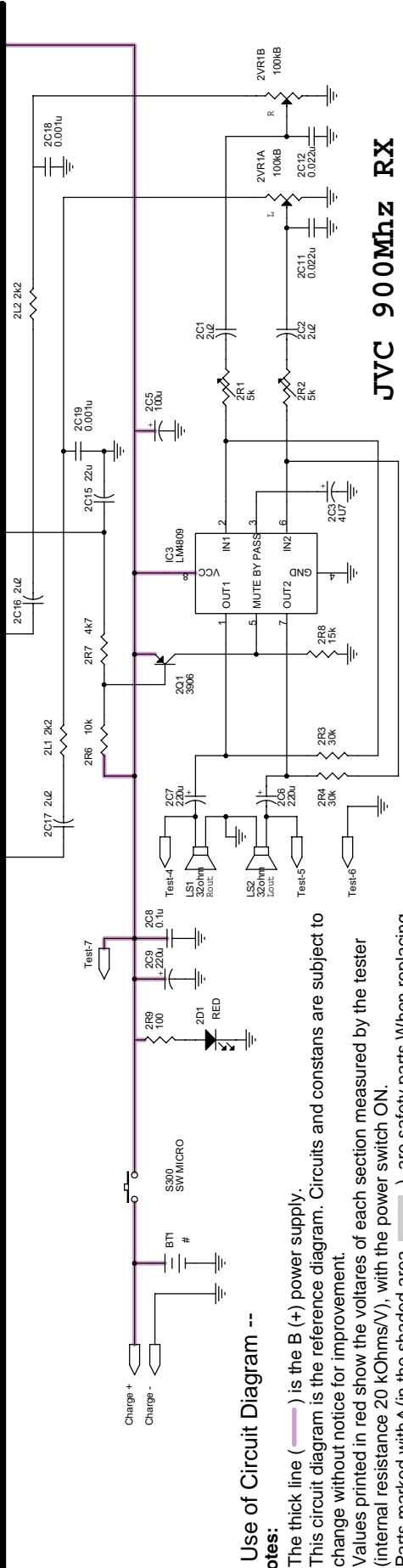
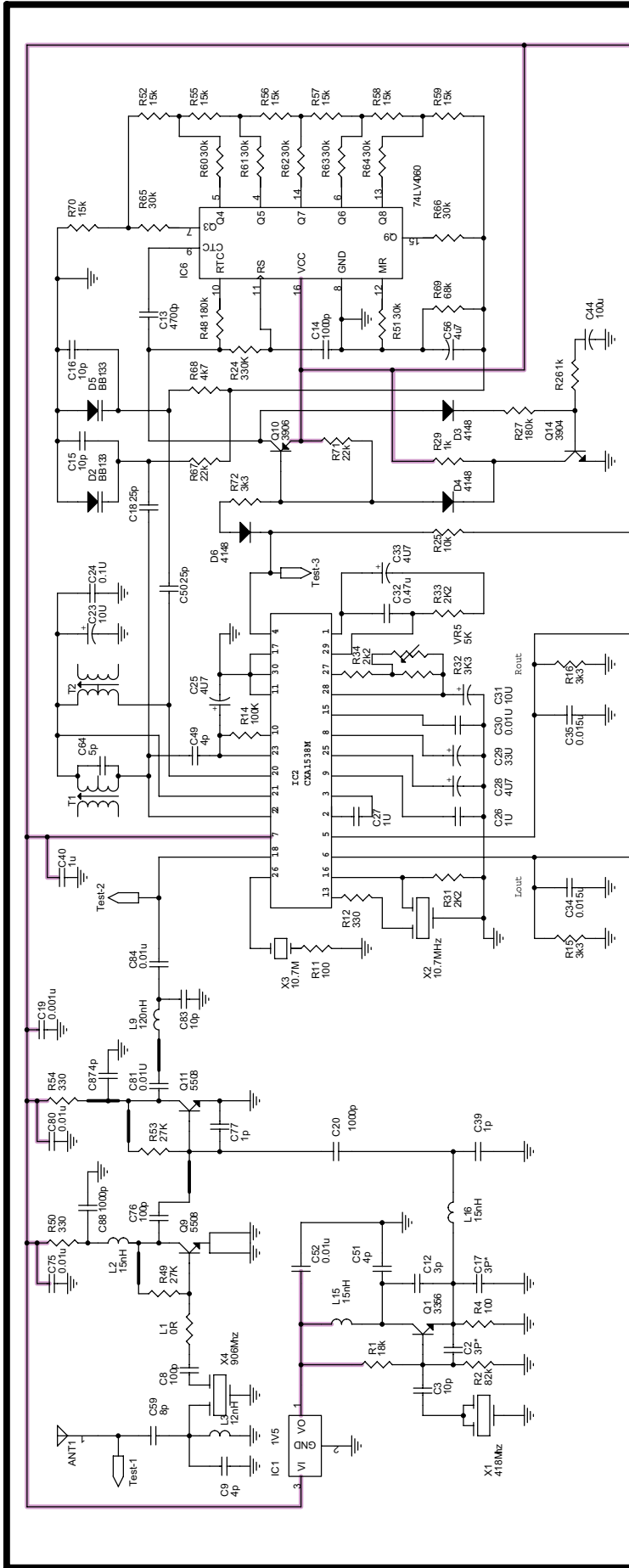


Block View Inside IC



Standard schematic diagram

- Receiver (headphones) J/C Model : 900MHz type



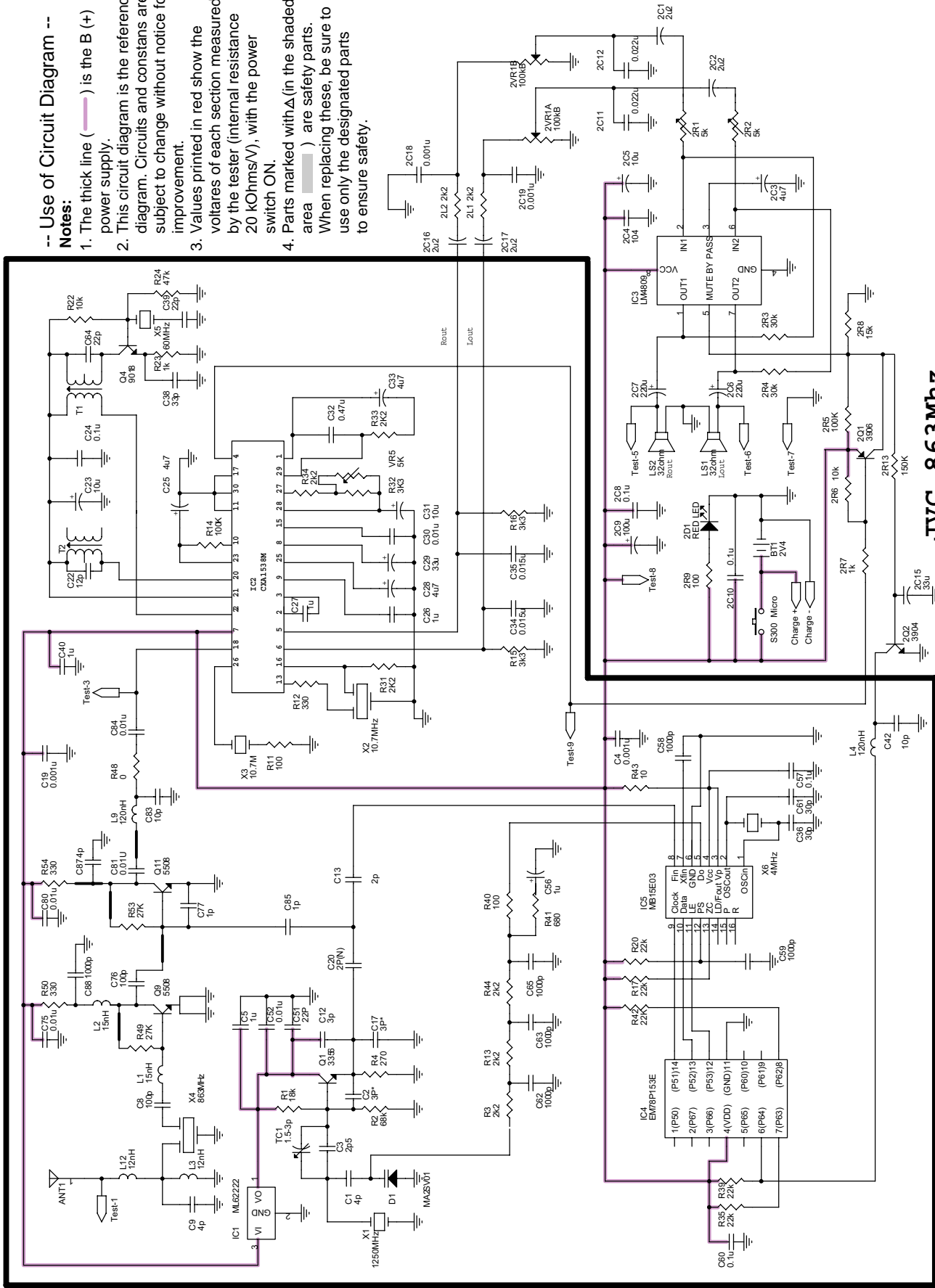
JVC 900MHz RX

-- Use of Circuit Diagram --

Notes:

1. The thick line (—) is the B (+) power supply.
2. This circuit diagram is the reference diagram. Circuits and constants are subject to change without notice for improvement.
3. Values printed in red show the voltages of each section measured by the tester (internal resistance 20 kOhms/V), with the power switch ON.
4. Parts marked with Δ (in the shaded area) are safety parts. When replacing these, be sure to use only the designated parts to ensure safety.

- Receiver (headphones) G Model : 863MHz type



-- Use of Circuit Diagram --

Notes:

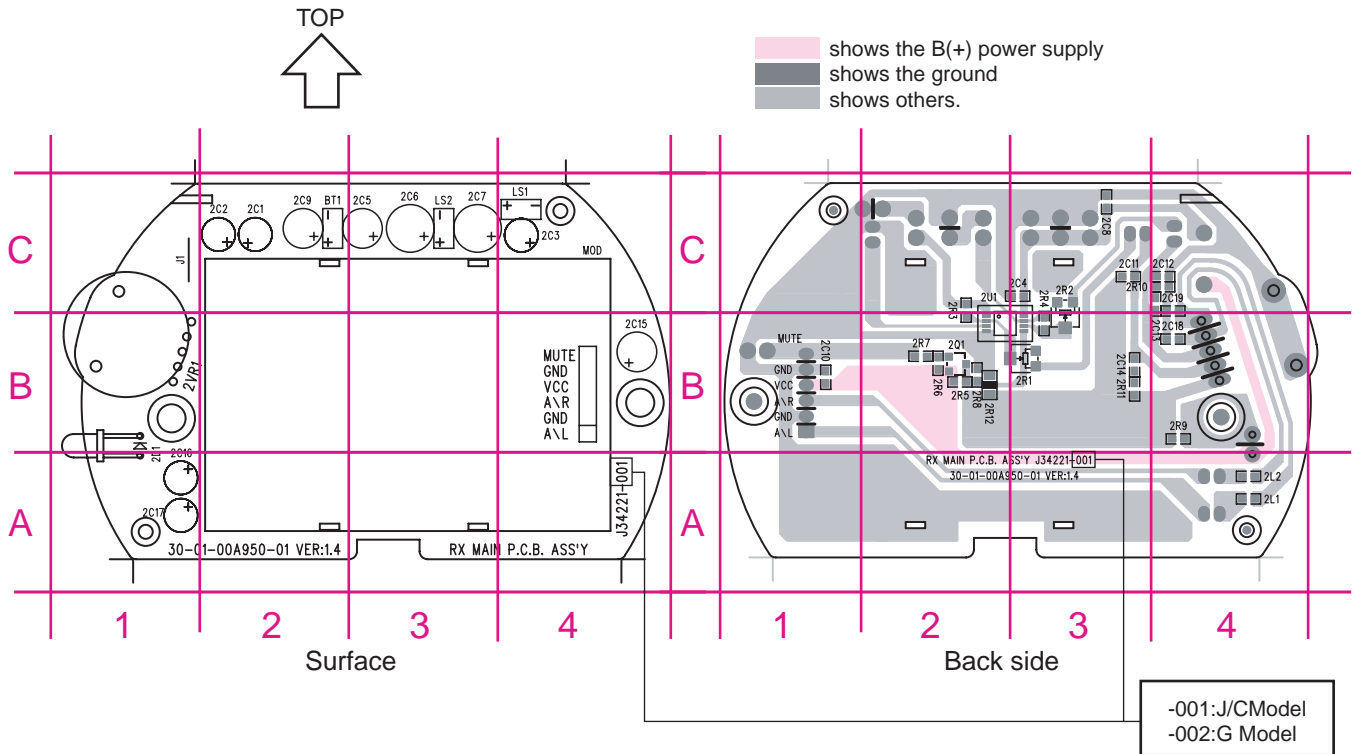
1. The thick line (—) is the B (+) power supply.
2. This circuit diagram is the reference diagram. Circuits and constants are subject to change without notice for improvement.
3. Values printed in red show the voltages of each section measured by the tester (internal resistance 20 kOhms/V), with the power switch ON.
4. Parts marked with Δ (in the shaded area) are safety parts. When replacing these, be sure to use only the designated parts to ensure safety.

JVC 863Mhz

Print Circuit Board

Receiver (Headphones)

MAIN P.C.BOARD






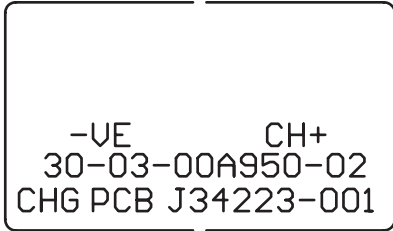
Receiver (Headphones) MAIN P.C.B. LOCATION

Symbol	Location	Symbol	Location	Symbol	Location
ICs		Jack		Capacitors	
IC3	2B	J1	1C	2C17	1A
Transistors		Capacitors		2C18	4B
2Q1	2B	2C1	2C	2C19	4C
Diodes		2C2	2C	Coils	
2D1	1B	2C3	4C	2L1	4A
Resistors		2C4	3C	2L2	4A
2R1	3B	2C5	3C		
2R2	3C	2C6	3C		
2R3	2C	2C7	3C		
2R4	3B	2C8	3C		
2R5	2B	2C9	2C		
2R6	2B	2C10	1B		
2R7	2B	2C11	3C		
2R8	2B	2C12	4C		
2R9	4B	2C13	4C		
2R10	3C	2C14	3B		
2R11	3B	2C15	4B		
2R12	2B	2C16	1A		

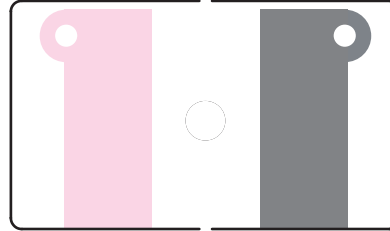
Receiver (Headphones)

CHARGE P. C. BOARD

 shows the B(+) power supply
 shows the ground
 shows others.



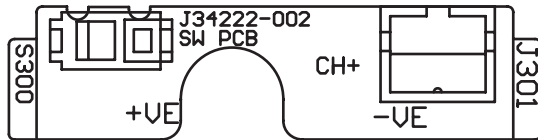
Surface



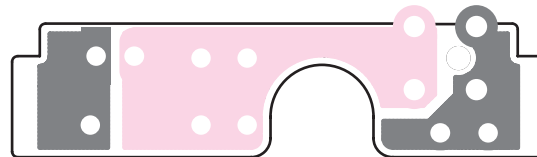
Back side

Receiver (Headphones)

SWITCH P. C. BOARD



Surface



Back side